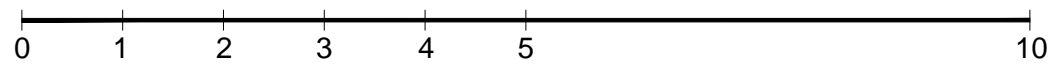
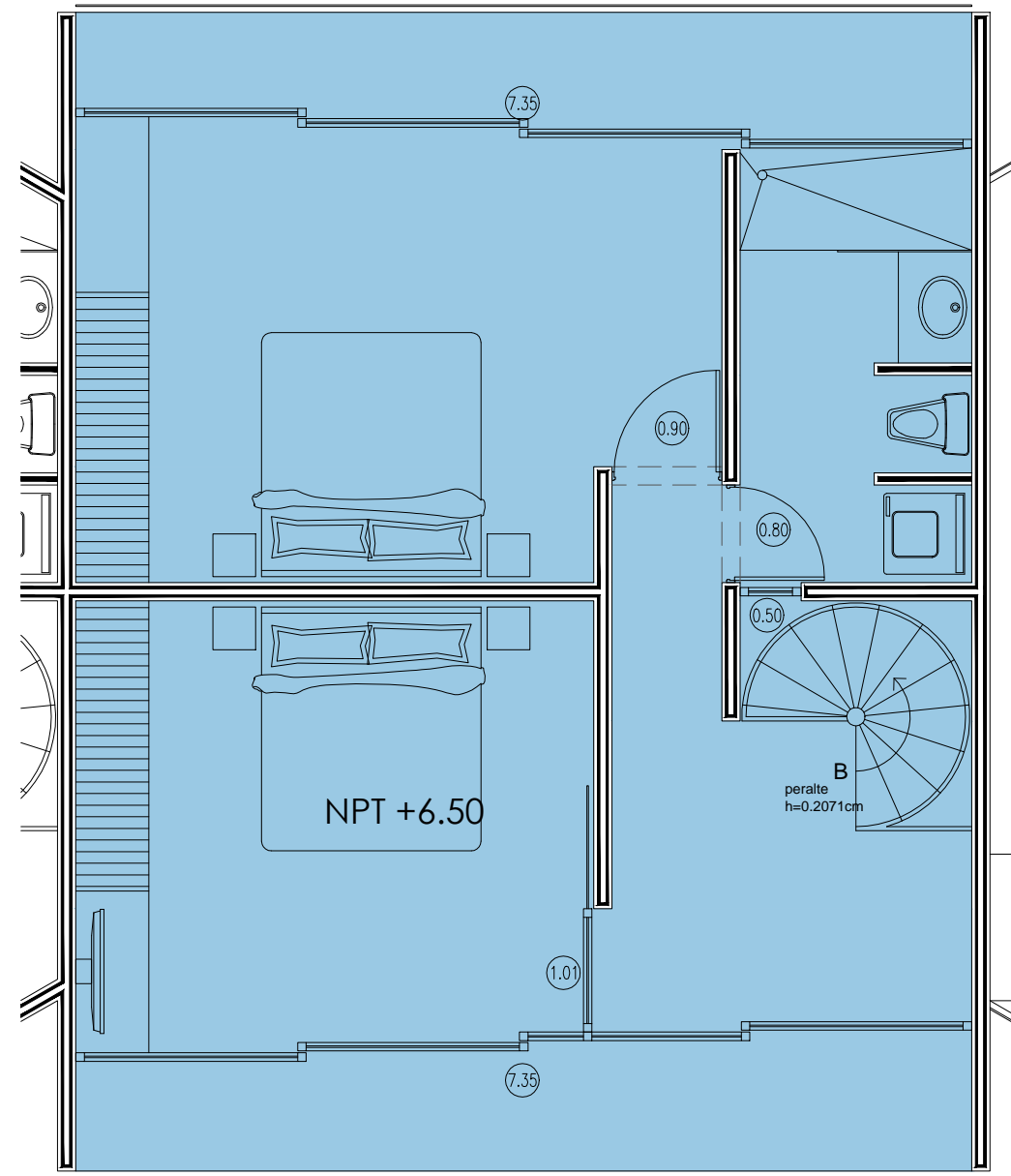


Building "A" First level

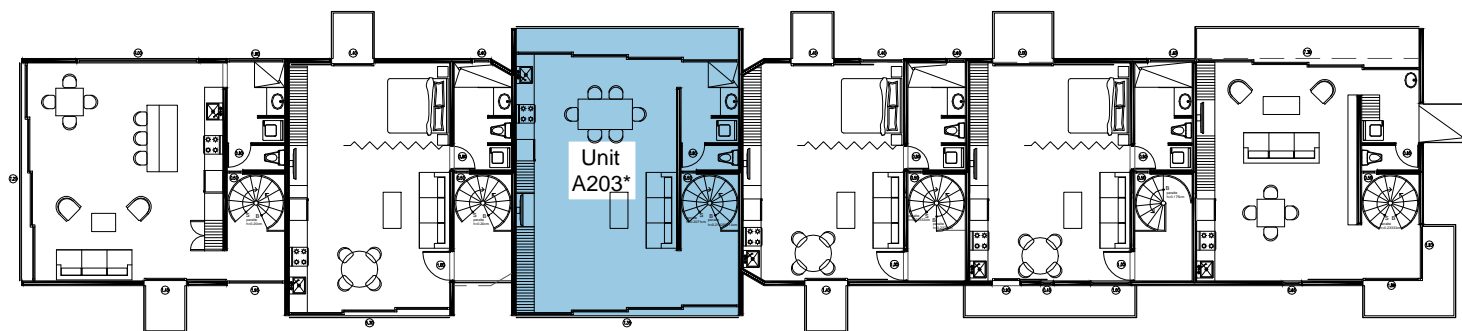
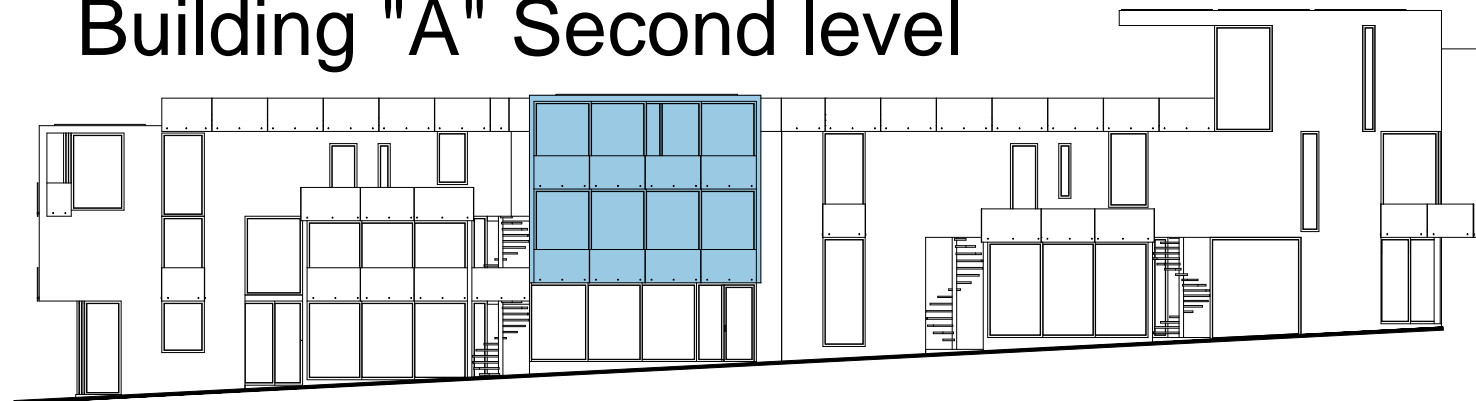


# LOFT UNIT A203\*

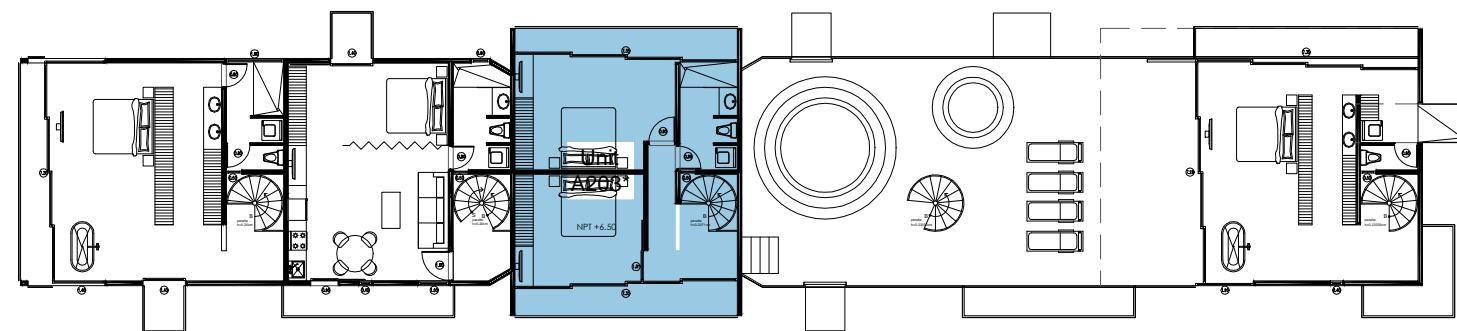
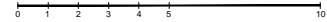
1,564.53ft<sup>2</sup> (145.35m<sup>2</sup>)



Building "A" Second level



Building "A" First level



Building "A" Second level

